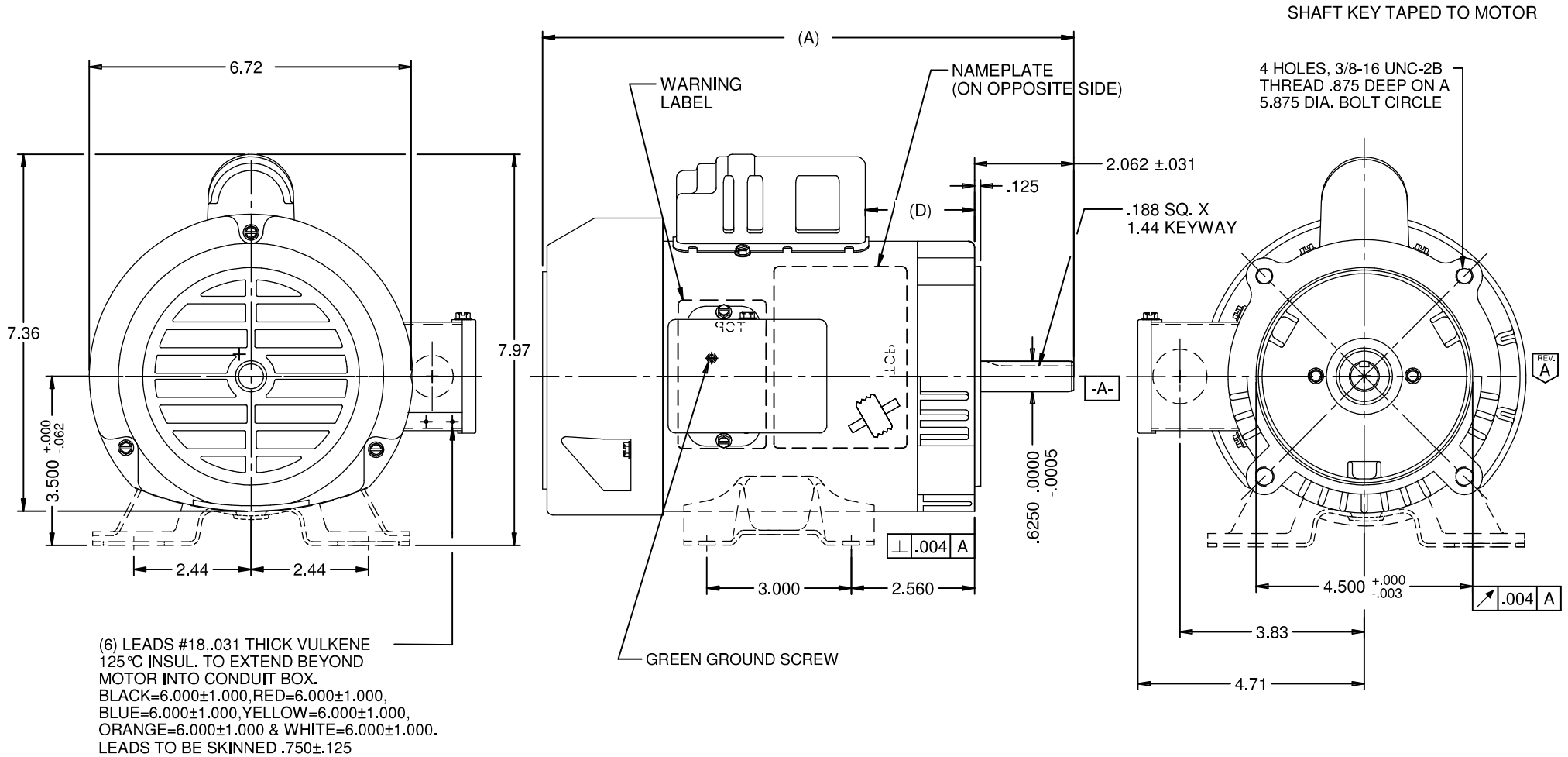




Catalog #: T13C2JC

Model Number:	C055KKT4986015B
PRODUCT NAME:	.33 HP - TEFC - 1725
PHASETYPE:	1_CAPACITOR START
MOTOR ENCLOSURE:	TEFC
HORSEPOWER:	.33
KILOWATTS:	0.3
POLES:	4
NUMBER SPEEDS:	1
RPM:	1725
HERTZ:	60
VOLTS PRIMARY:	115/208-230 V
VOLTS :	115
VOLTS 2:	208
VOLTS 3:	230
FRME :	56
SHAFT CODE:	C
STATOR DIAMETER:	5.5
STACK:	1.5
MOUNTING:	C-FACE
MOTOR TYPE:	FHP
OPPOSITE END BEARING:	6203
SHAFT END BEARING:	6203
AMBIENT:	40
ROTATION:	REVERSIBLE
SERVICE FACTOR:	1.15
STARTCAPMFD:	374
SHIPPING WEIGHT:	19
THERMAL PROTECTION:	NONE
BREAKDOWN TORQUE UOM:	OZFT
LOCKED ROTOR TORQUE UOM:	OZFT
INSULATION CLASS:	B
KVA CODE LETTER:	N
FULL LOAD AMPS PRIMARY:	6.6/3-3.3
SERVICE FACTOR AMPS PRIMARY:	7.2/3.3-3.6

VAR	MODEL	CUSTOMER	CUSTOMER PN	A	B	C	D	HP	VOLTS	SF	AMPS	HZ	RPM	CONN VOLTS	PROT.	BASE	DESCRIPTION / REMARKS
001	C55KHR-4945	USEM	T13C2JCR	11.03	-----	-----	3.07	1/3	115/208-230	1.15	6.6/3.0-3.3	60	1725	-----	NONE	NO	ROTATION REVERSIBLE, BALL BEARING
002	C55KKT-4986	USEM	T13C2JC	11.03	-----	-----	3.07	1/3	115/208-230	1.15	6.6/3.0-3.3	60	1725	-----	NONE	YES	ROTATION REVERSIBLE, BALL BEARING



NIDEC MOTOR CORPORATION 15-Aug-18

REFER TO S.E.I.M. 24-1

REVISION RECORD FOR: ECO E31420
 CHANGED THE VIEW OF BOTH SCREWS TO S05820750 (SCREW WITHOUT SLOT).

TOLERANCES ON DIMENSIONS
 (UNLESS OTHERWISE SPECIFIED)

INCHES	mm
.XX = ± .010	
.XXX = ±.005	

ANGLES X°= ±1°

NIDEC MOTOR CORPORATION

INFORMATION DISCLOSED ON THIS DOCUMENT IS CONSIDERED PROPRIETARY AND SHALL NOT BE REPRODUCED OR DISCLOSED WITHOUT WRITTEN CONSENT OF NIDEC MOTOR CORPORATION

REVISION DATE:
22-AUG-18

ISSUED BY: **G. ISASSI**

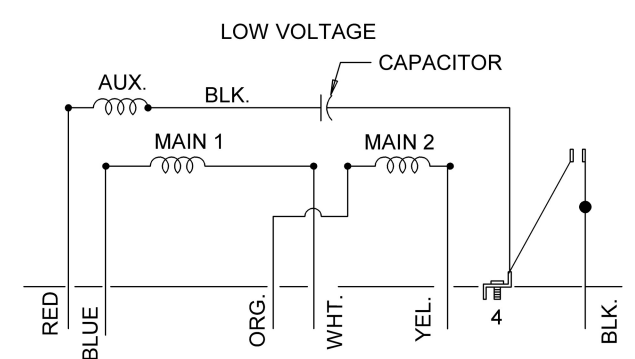
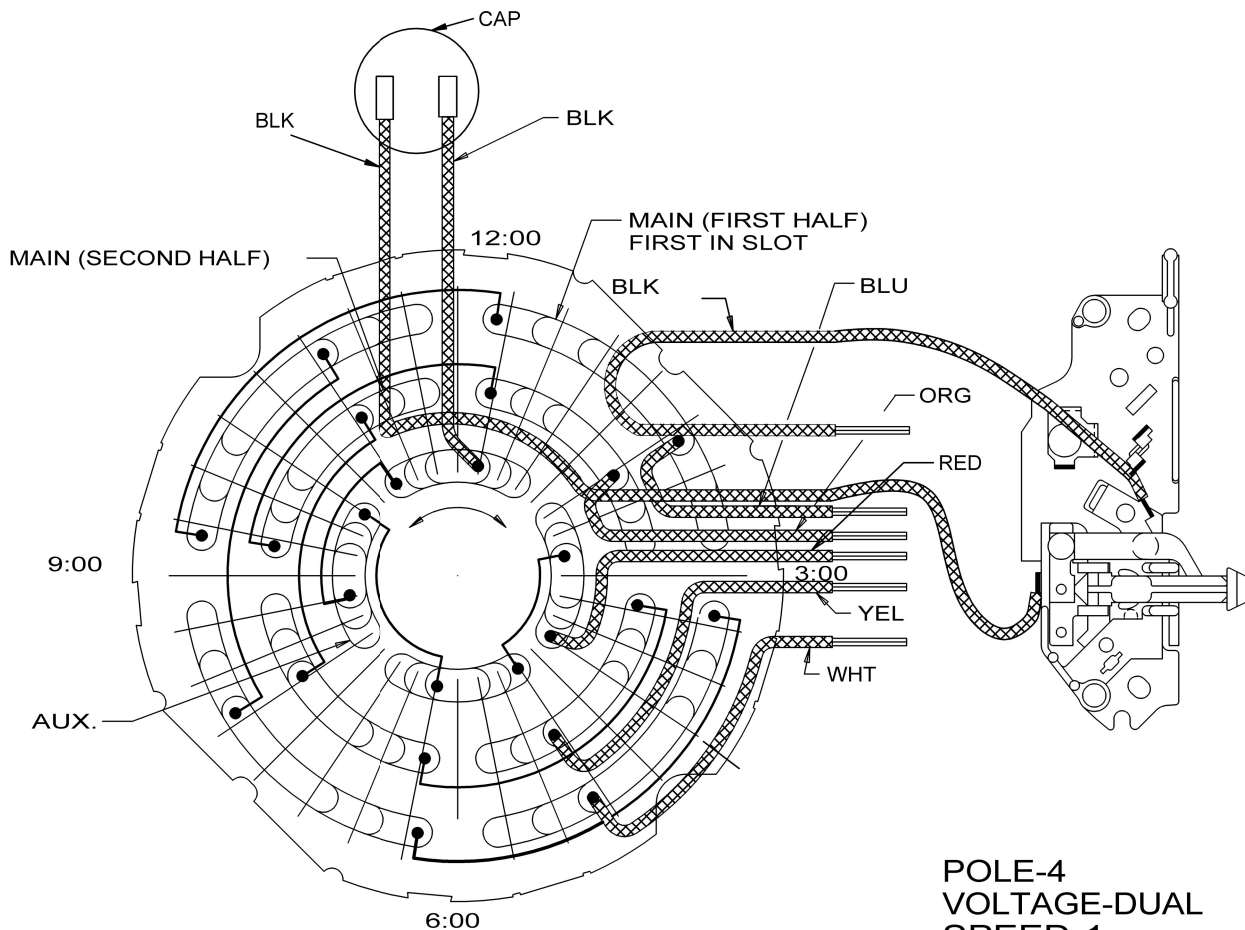
ENGINEER APPROVED: **J. SALINAS**

TITLE
CUSTOMER DETAIL DRAWING

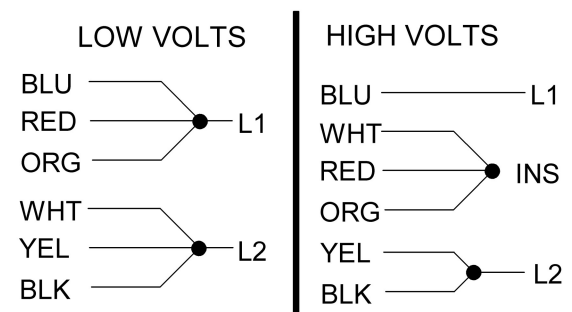
CODE
V02

ITEM NO.
804480

REV	SHEET NUMBER	DWG SIZE
A	1 OF 6	B



POLE-4
VOLTAGE-DUAL
SPEED-1
NO PROTECTOR
REVERSIBLE



TO REVERSE ROTATION
INTERCHANGE RED & BLK LEADS

VIEWING LEAD END

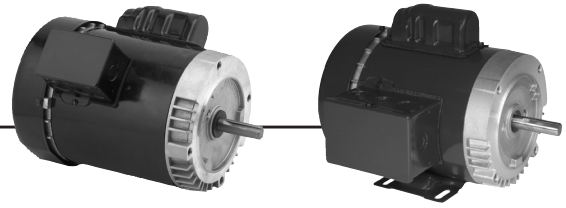
Note: SECURE ALL LEADS TO PREVENT INTERFERENCE WITH MOVING PARTS

NIDEC CONFIDENTIAL
NIDEC MOTOR CORPORATION 03-Oct-13

REVISION DESCRIPTION FOR: C8396-11	SCALE NONE UNITS IN	TITLE	
CHANGED MARK FROM EMERSON TO NIDEC	TOLERANCES ON DIMENSIONS (UNLESS OTHERWISE SPECIFIED)	DIAGRAM OF CONNECTIONS	
MATERIAL:	INCHES .X = ±.1 .XX = ±.03 .XXX = ±.015	ISSUED BY B. ANDRADE	APPROVED BY J.I. SALAZAR
	ANGLES X° = ±1°	REVISION DATE 03-OCT-13	REV. SHEET NUMBER DWG SIZE A 1 OF 1 B
		CODE D04	DWG NO. 765596



General Purpose Single Phase, Capacitor Start Totally Enclosed Fan Cooled (TEFC) C-Face



APPLICATIONS:

For use on air compressors, pumps, conveyors, blowers and general industrial equipment.

FEATURES:

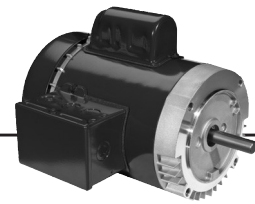
- Double Shielded Ball Bearings
- Class B Insulation
- Continuous Duty
- 40°C Ambient
- Capacitor Start, Induction Run
- F1 Assembly
- Reversible Rotation
- 50/60 Hz Motors Have 1.0 S.F. on 50 Hz

Footed

HP	RPM	Voltage	Frame	Catalog Number	List	Discount Symbol	SF	"C" Dim. (inches)	Ship Wt. (lbs)	Full Load Amps	Notes
1/4	1800	115/208-230	56C	T14C2JC	\$390	DS-3F	1.15	11.1	22	6.5/2.8-3.2	25
1/3	1800	115/208-230	56C	T13C2JC	\$380	DS-3F	1.15	11.0	19	6.6/3-3.3	25
1/2	1800	100-120 & 200-240	56C	6212	\$565	DS-3FMP	1.25	12.0	25	6.3-5.6/3.1-2.8	18,24,98
	1800	115/208-230	56C	T12C2JC	\$482	DS-3FMP	1.15	11.4	32	9.0/4.3-4.5	25
3/4	3600	115/208-230	56C	T34C1JC	\$417	DS-3FMP	1.15	11.9	32	10.4/5.3-5.2	25
	1800	100-120 & 200-240	56C	6214	\$691	DS-3FMP	1.25	12.0	32	9.2-8.4/4.6-4.2	24
	1800	115/208-230	56C	T34C2JC	\$585	DS-3FMP	1.15	11.9	32	11.4/5.7-5.7	25
1	3600	115/208-230	56C	T1C1JC	\$489	DS-3FMP	1.15	12.4	26	13.6/6.9-6.8	25
	1800	100-120 & 200-240	56C	T1CA2ZC	\$730	DS-3FMP	1.15	13.4	30	11.0-9.2/5.5-4.7	
	1800	100-120 & 200-240	56C	T1CM2ZC	\$760	DS-3FMP	1.15	13.4	38	11.0-9.2/5.5-4.7	
	1800	115/208-230	143TC	T1C2J14C	\$621	DS-3F	1.15	12.4	32	14.0/6.9-7.0	25
	1800	115/208-230	56HC	T1C2JHC	\$621	DS-3FMP	1.15	12.4	32	14.0/6.9-7.0	25
1 1/2	3600	115/208-230	56HC	T32C1JHC	\$603	DS-3FMP	1.15	12.9	42	14.6/8.1-7.4	25
	1800	115/208-230	145TC	T32C2J14C	\$731	DS-3F	1.15	13.9	45	14.4/8.0-7.2	25
	1800	115/208-230	56HC	T32C2JHC	\$736	DS-3FMP	1.15	13.9	41	14.4/8.0-7.2	25
2	3600	115/208-230	145TC	T2C1J14C	\$778	DS-3FMP	1.15	13.4	43	19.5/10.8-9.7	25
	1800	115/208-230	145TC	T2C2J14C	\$846	DS-3FMP	1.15	13.9	46	18.9/10.3-9.4	18,25
	1800	115/208-230	56HC	T2C2JHC	\$846	DS-3FMP	1.15	13.9	43	18.9/10.3-9.4	18,25
5	3600	230	184TC	T5C1K18C	\$1,397	DS-3SP	1.00	17.3	91	19.6	18,25

Note 18 Incorporates Run Capacitor
 Note 24 Automatic Reset Thermal Protector Overload
 Note 25 Non-protected
 Note 98 50/60 Hertz

General Purpose Single Phase, Capacitor Start Totally Enclosed Fan Cooled (TEFC) C-Face



(continued)

Footless

HP	RPM	Voltage	Frame	Catalog Number	List	Discount Symbol	SF	"C" Dim. (inches)	Ship Wt. (lbs)	Full Load Amps	Notes
1/4	1800	115/208-230	56C	T14C2JCR	\$330	DS-3F	1.15	11.0	22	6.5/2.8-3.2	25
1/3	1800	115/208-230	56C	T13C2JCR	\$380	DS-3F	1.15	11.0	22	6.6/3.0-3.3	25
	1800	115/208-230	56C	T13CA2JCR	\$380	DS-3FMP	1.15	11.0	22	6.6/3.0-3.3	24
	1800	115/230	42CZ	T13C2P42ZCR	\$394	DS-3FMP	1.00	11.6	21	6.2/3.1	25
1/2	3600	115/208-230	56C	T12CA1JCR	\$358	DS-3FMP	1.15	12.0	18	8.0/3.8-4.0	24
	1800	100-120 & 200-240	56C	T12C2ZCR	\$592	DS-3FMP	1.25	12.0	25	6.3-5.6/3.1-2.8	18,25,98
	1800	115/208-230	56C	T12C2JCR	\$439	DS-3FMP	1.15	12.4	32	9.0/4.3-4.5	25
	1800	115/208-230	56C	T12CA2JCR	\$496	DS-3FMP	1.15	11.4	32	9.0/4.3-4.5	24
	1800	115/208-230	56C	T12CM2JCR	\$462	DS-3FMP	1.15	11.4	32	9.0/4.3-4.5	23
	1200	115/208-230	56C	T12C3JCR	\$828	DS-3FMP	1.15	12.4	32	10.4/5.1-5.2	25
3/4	3600	115/208-230	56C	T34CA1JCR	\$451	DS-3FMP	1.15	11.9	32	10.4/5.3-5.2	24
	1800	100-120 & 200-240	56C	T34C2ZCR	\$699	DS-3FMP	1.25	12.4	23	9.2-8.4/4.6-4.2	18,25,98
	1800	115/208-230	56C	T34C2JCR	\$527	DS-3FMP	1.15	11.9	32	11.4/5.7-5.7	25
	1800	115/208-230	56C	T34CA2JCR	\$582	DS-3FMP	1.15	11.9	32	11.4/5.7-5.7	24
	1800	115/208-230	56C	T34CM2JCR	\$551	DS-3FMP	1.15	11.9	32	11.4/5.7-5.7	23
	1200	115/208-230	56C	T34C3JCR	\$932	DS-3FMP	1.15	13.4	28	10.6/5.4-5.3	18,25
1	3600	115/208-230	56C	T1CA1JCR	\$524	DS-3FMP	1.15	12.4	32	13.6/6.9-6.8	24
	1800	115/208-230	143TC	T1C2J14CR	\$638	DS-3SP	1.15	12.4	32	14.0/6.9-7.0	25
	1800	115/208-230	143TC	T1CA2J14CR	\$677	DS-3SP	1.15	12.4	32	14.0/6.9-7.0	24
	1800	115/208-230	143TC	T1CM2J14CR	\$700	DS-3SP	1.15	12.4	32	14.0/6.9-7.0	23
	1800	115/208-230	56C	T1C2JCR	\$571	DS-3FMP	1.15	12.4	32	14.0/6.9-7.0	25
	1800	115/208-230	56C	T1CA2JCR	\$610	DS-3FMP	1.15	12.4	32	14.0/6.9-7.0	24
	1800	115/208-230	56C	T1CM2JCR	\$633	DS-3FMP	1.15	12.4	32	14.0/6.9-7.0	23
	1200	115/208-230	56C	T1C3JCR	\$1,011	DS-3FMP	1.15	13.9	44	12.6/6.6-6.3	25
1 1/2	3600	115/208-230	143TC	T32C1J14CR	\$637	DS-3SP	1.15	12.9	32	14.6/8.1-7.4	25
	3600	115/208-230	56C	T32CA1JCR	\$637	DS-3FMP	1.15	12.9	32	14.6/8.1-7.4	24
	1800	115/208-230	145TC	T32C2J14CR	\$723	DS-3SP	1.15	13.9	47	14.4/8.0-7.2	25
	1800	115/208-230	56C	T32C2JCR	\$650	DS-3FMP	1.15	13.9	31	14.4/8.0-7.2	25
	1800	115/208-230	56C	T32CA2JCR	\$689	DS-3FMP	1.15	13.9	31	14.4/8.0-7.2	24
	1800	115/208-230	56C	T32CM2JCR	\$712	DS-3FMP	1.15	13.9	31	14.4/8.0-7.2	23
2	3600	115/208-230	145C	T2C1J14CR	\$813	DS-3SP	1.15	12.9	34	19.5/10.8-9.7	25
	1800	115/208-230	145TC	T2C2J14CR	\$969	DS-3SP	1.15	13.9	46	18.9/10.3-9.4	25
	1800	115/208-230	145TC	T2CA2J14CR	\$1,008	DS-3SP	1.00	14.4	40	18.9/10.3-9.4	24
	1800	115/208-230	56C	T2C2JCR	\$739	DS-3FMP	1.15	13.9	31	18.9/10.3-9.4	25
	1800	115/208-230	56C	T2CA2JCR	\$778	DS-3FMP	1.00	14.4	31	18.9/10.3-9.4	24
	1800	115/208-230	56C	T2CM2JCR	\$801	DS-3FMP	1.00	13.9	31	18.9/10.3-9.4	23

Note 18 Incorporates Run Capacitor
 Note 23 Manual Reset Thermal Protector Overload
 Note 24 Automatic Reset Thermal Protector Overload
 Note 25 Non-protected
 Note 98 50/60 Hertz